

THE ROAD-RUNNER TRAFFIC SAFETY BARRICADE

Engineered grade reflective strip.
Optional 3M diamond grade retro-reflective strip both sides white/orange 600 ft. visibility.

Custom logo or ownership plate.

Tapered and ribbed profile increases long distance visibility.

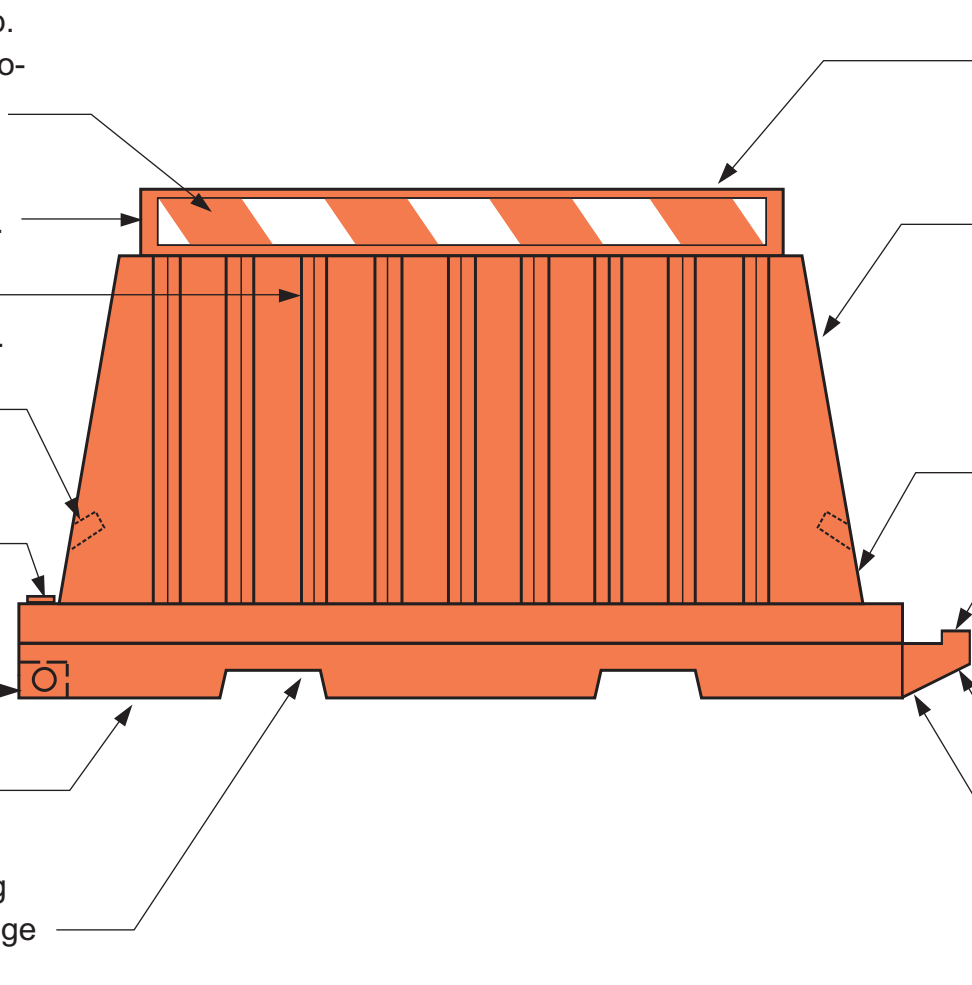
Convenient hand-lift pockets at each end.

Water/sand fill cap keeps bugs, mosquitoes and debris out.

Recessed drain plug.

No rusting, crumbling, splintering or repainting.

Full size forklift slots for handling stacked units. Also allows passage of surface run-off.



Resilient, smooth and lightweight polyethylene reduces vehicle damage.

Easy cleaning and graffiti removal. Color is solid throughout the material.

Low centre of gravity (12 inches up from base with no ballast).

Tongue and hook for aligning into adjacent unit.

Linking at base allows easy deployment over uneven surfaces.

Tongue allows straight line deployment or linked curved deployment down to a 30 ft. radius.